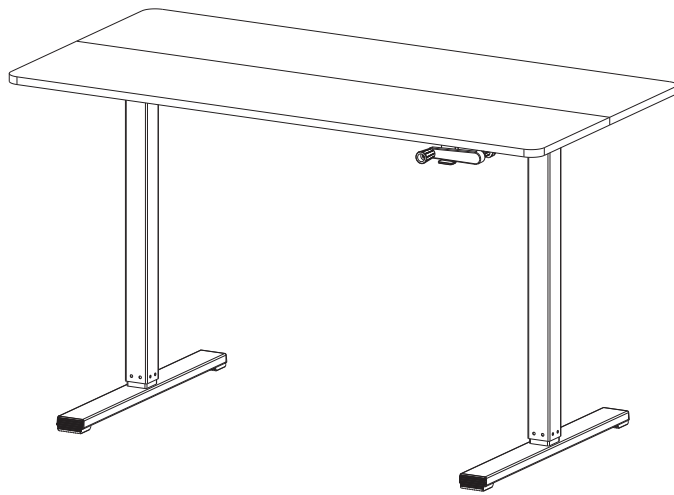


Item No.: K257032

Installation guide

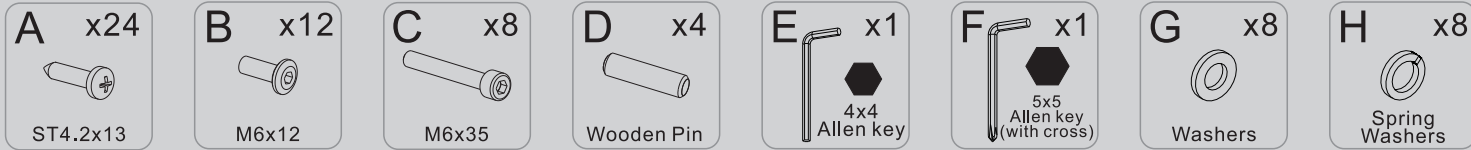


Technical Data

Product Model	HT150-2P4824
Column Stage	Inversion; 2 Stage
Max. Load Capacity	50kg
Highest Position	1170mm
Lowest Position	720mm
Tabletop Dimensions	1200x600x16mm PB

Accessory list

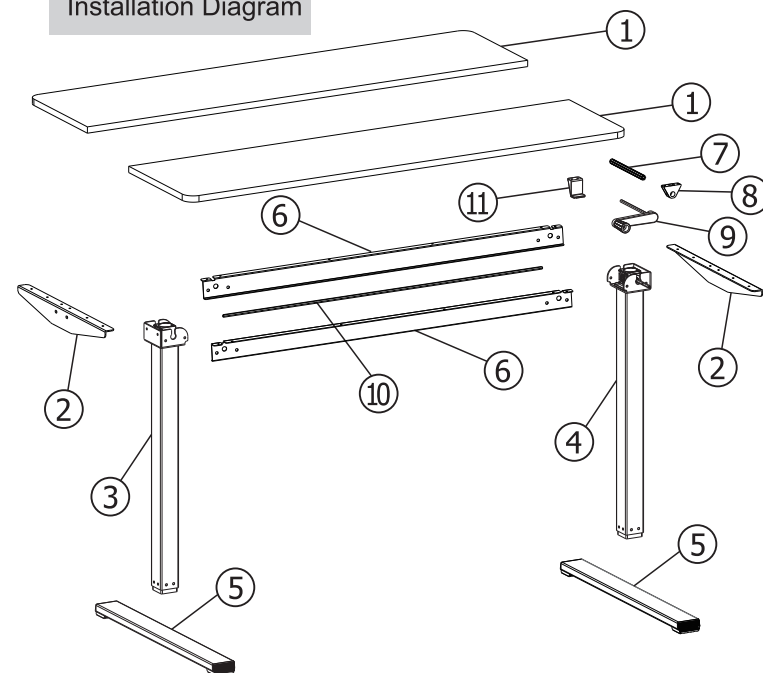
Attention: The drawings below are only for guidance and they may differ slightly from the product and fittings received. Please contact our customer service department if you have any queries.



Component List

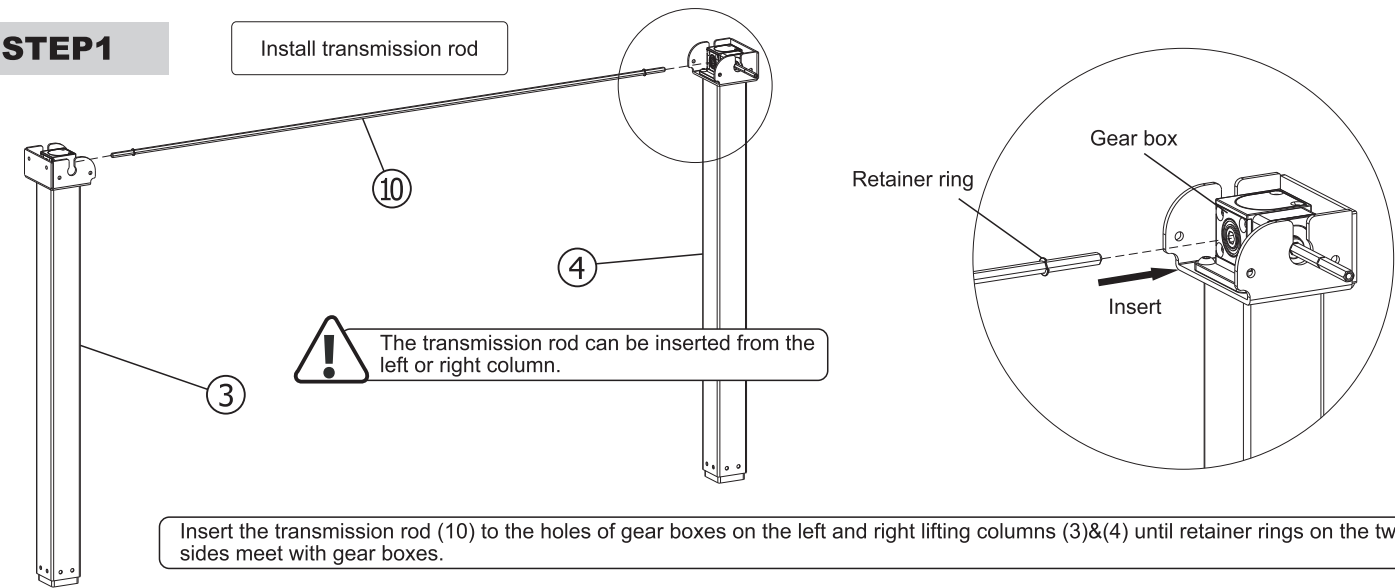
No.	Part	Qty	No.	Part	Qty
①	Tabletops	2	②	Supporting Plates	2
③	Left Lifting Column	1	④	Right Lifting Column	1
⑤	Feet	2	⑥	Beam Sheet Metal	2
⑦	Hexagon Shaft Connecting Sleeve	1	⑧	Connecting Sleeve Fixed Seat	1
⑨	Crank	1	⑩	Transmission Rod	1
⑪	Crank Fixed Seat	1			

Installation Diagram



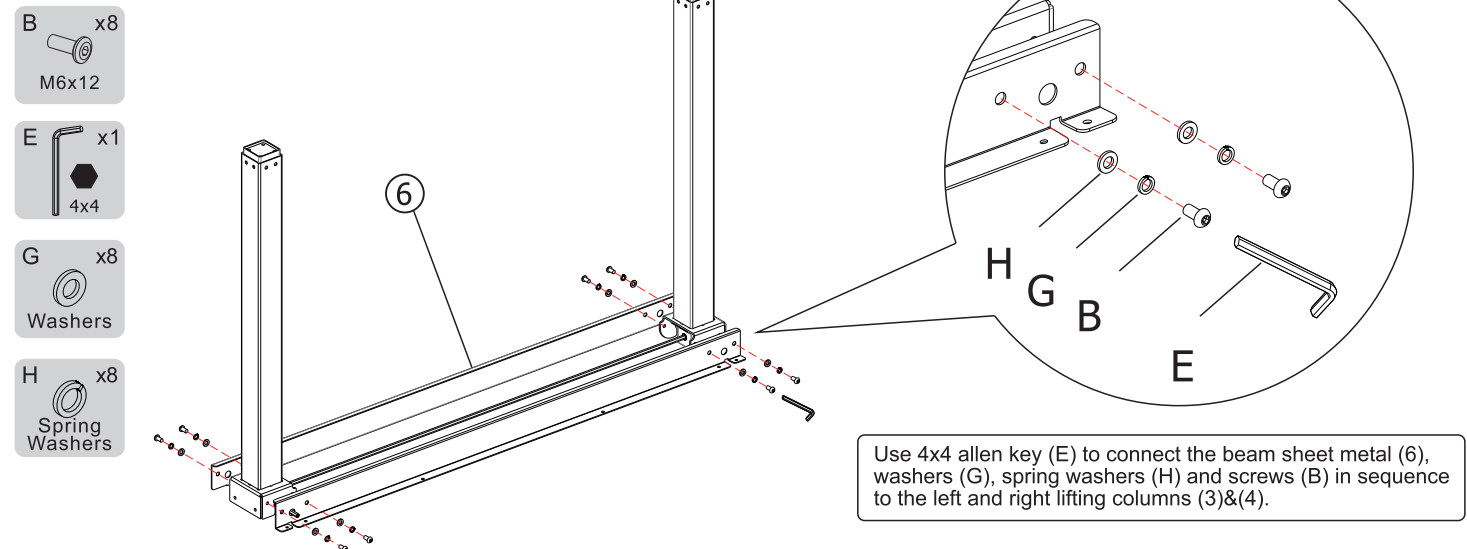
STEP1

Install transmission rod



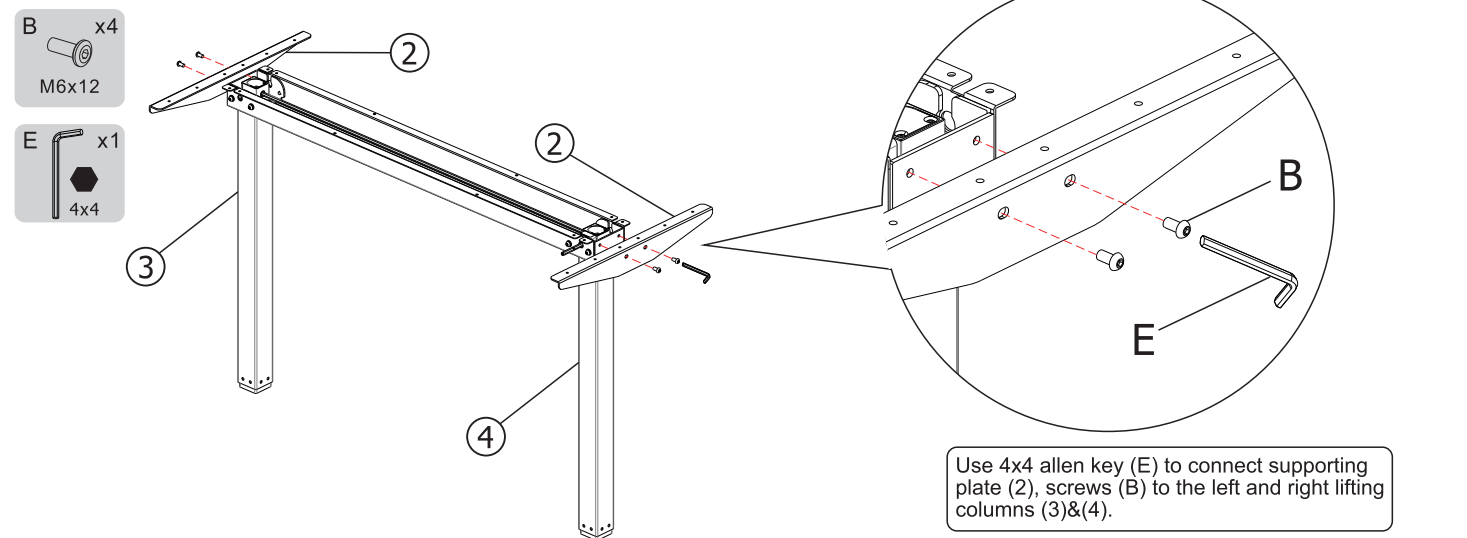
STEP2

Install the beam sheet metal



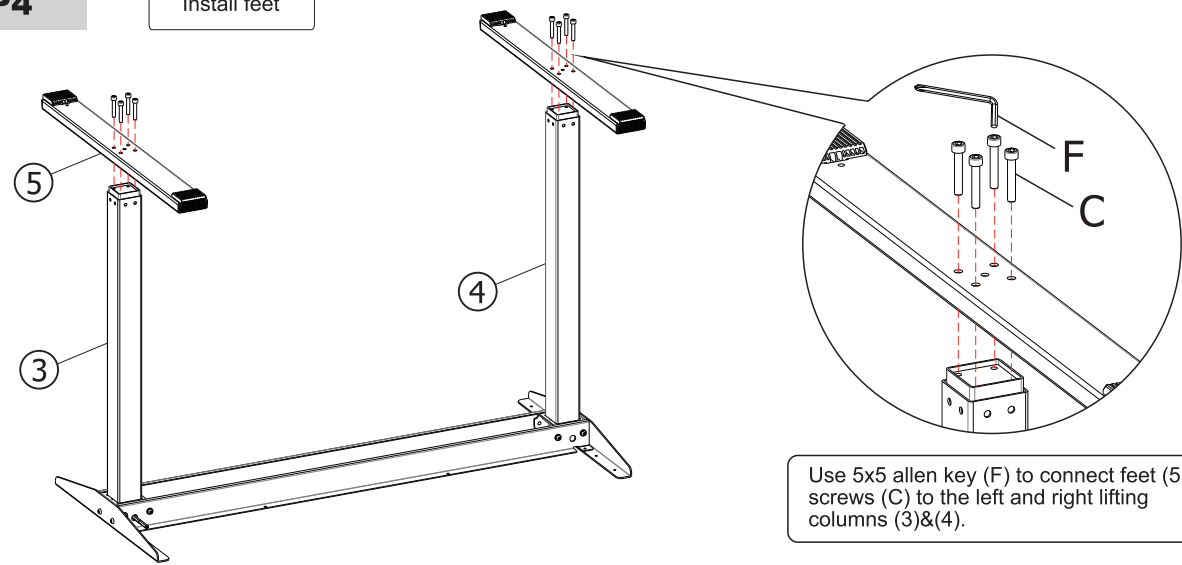
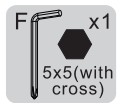
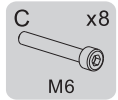
STEP3

Install supporting plate



STEP4

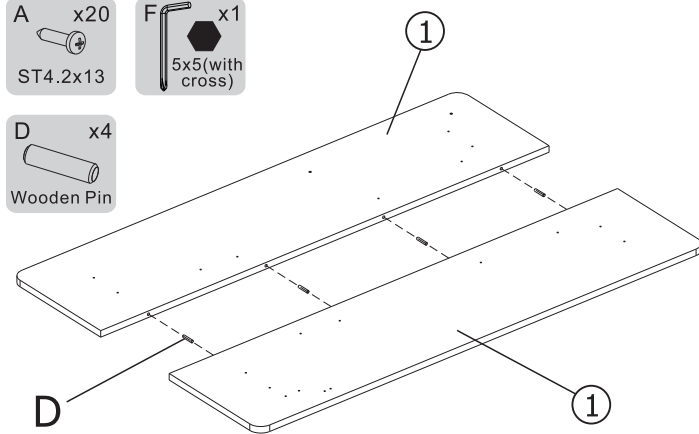
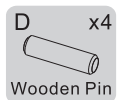
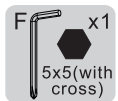
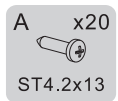
Install feet



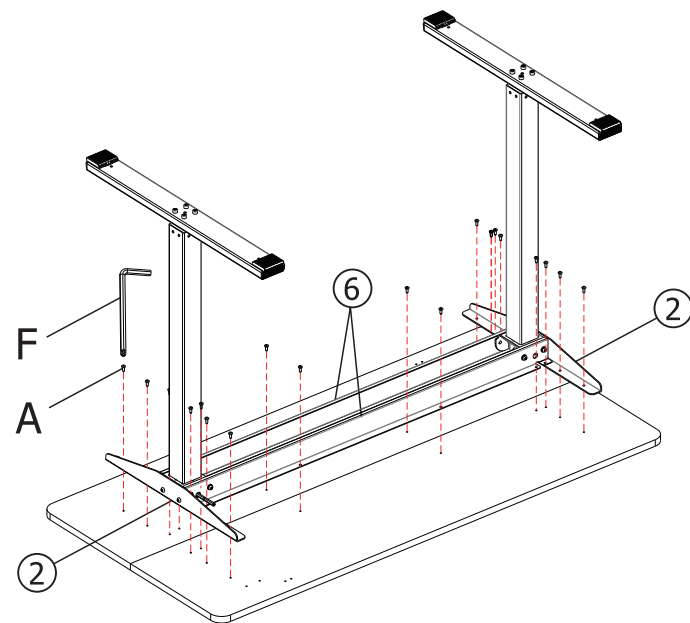
Use 5x5 allen key (F) to connect feet (5), screws (C) to the left and right lifting columns (3)&(4).

STEP5

Connect tabletops and install them

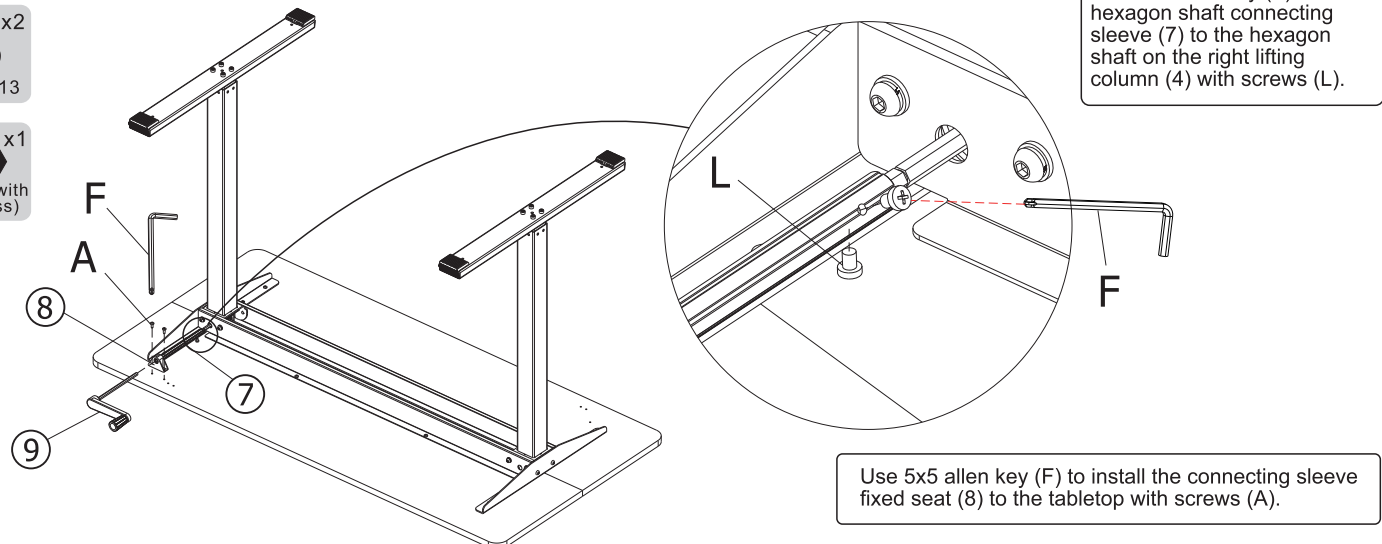
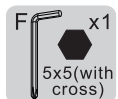
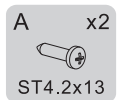


Use wooden pin (D) to connect two tabletops (1).



STEP6

Install crank and connecting sleeve fixed seat

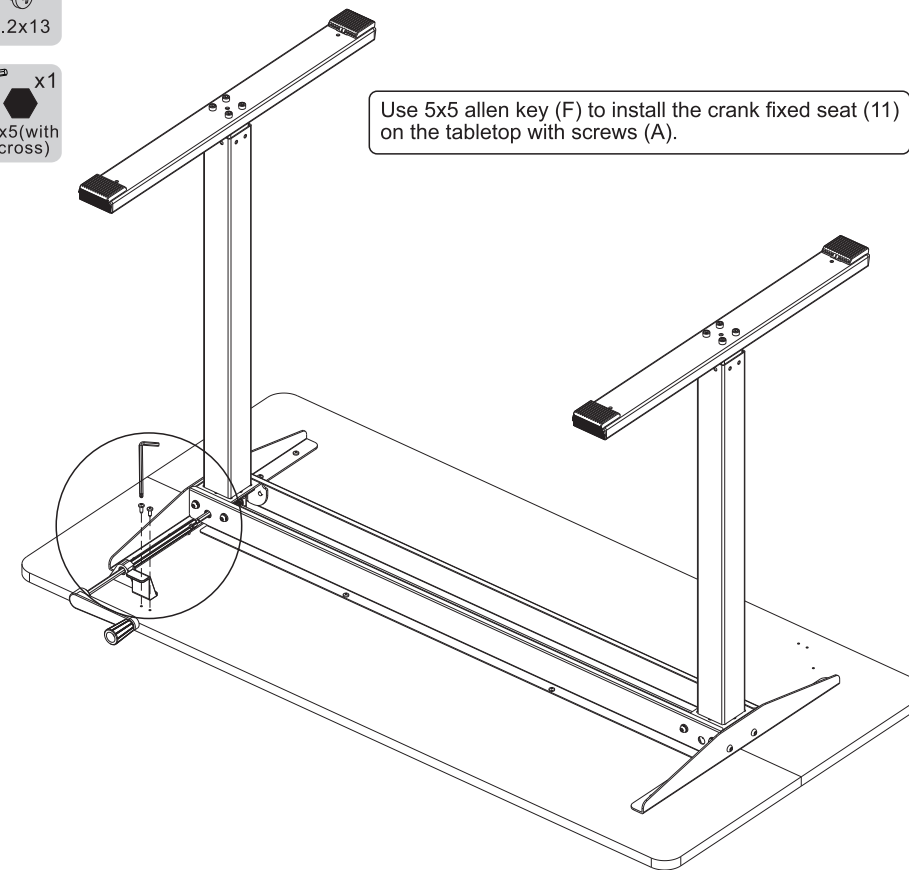
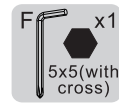
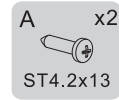


Use 5x5 allen key (F) to cover hexagon shaft connecting sleeve (7) to the hexagon shaft on the right lifting column (4) with screws (L).

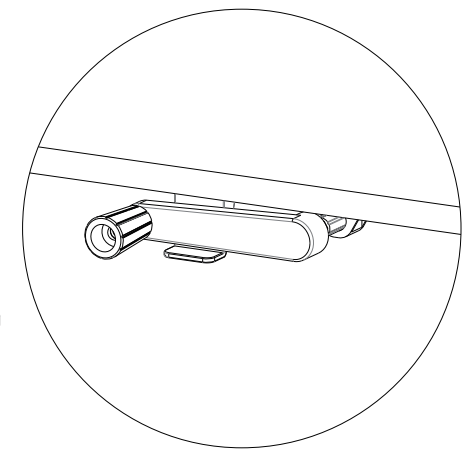
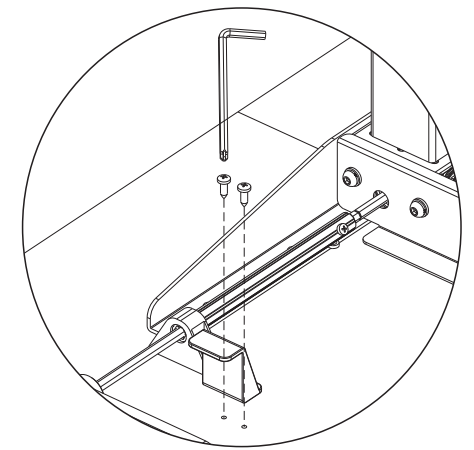
Use 5x5 allen key (F) to install the connecting sleeve fixed seat (8) to the tabletop with screws (A).

STEP7

Install crank fixed seat



Use 5x5 allen key (F) to install the crank fixed seat (11) on the tabletop with screws (A).



Schematic for crank fixed seat

Warning

There's spare parts in the package, which will lead to asphyxia if swallowed by accident. Please keep out of the reach of children for the spare parts.

- Make sure you have read and comprehend the manual for installation. Please contact the specialized persons if there's any confusion in the steps.
- Children are forbidden to play on the product because of unforeseen action when playing, so any dangerous consequences caused by this improper action will not be on
- This appliance can be used by children aged from 8 years and above and persons with reduced physical, sensory or mental capabilities or lack of experience and knowledge if they have been given supervision or instruction concerning use of the appliance in a safe way and understand the hazards involved. Children shall not play with the appliance.
- Children must not perform cleaning and user maintenance without supervision.
- Please make sure there is no hazard sources in your operating environment. e.g., do not litter the tools around. Always be careful to treat the packaging materials in order to avoid any possible danger, e.g. plastic bag may lead to choking hazard to children.
- Keep the original package of the equipment if necessary in case of the future use in transportation.

Waste disposal



This marking indicates that this product should not be disposed with other household wastes. To prevent possible harm to the environment or human health from uncontrolled waste disposal, recycle it responsibly to promote the sustainable reuse of material resources. To return your used device, please use the return and collection systems or contact the retailer where the product was purchased. They can take this product for environmental safe recycling.

